

World's Best Drywall Lifts™
Genuine PANELLIFT USA
Brand®
Patents Pending
Drywall Lift Storage & Transportation Cart **Model 110**



WARNING: When transporting, ALWAYS secure the PANELLIFT® Model 110 Drywall Lift Cart in the vehicle to prevent shifting of the load while in transit. An unsecured load can shift, possibly resulting in property damage and/or personal injury.

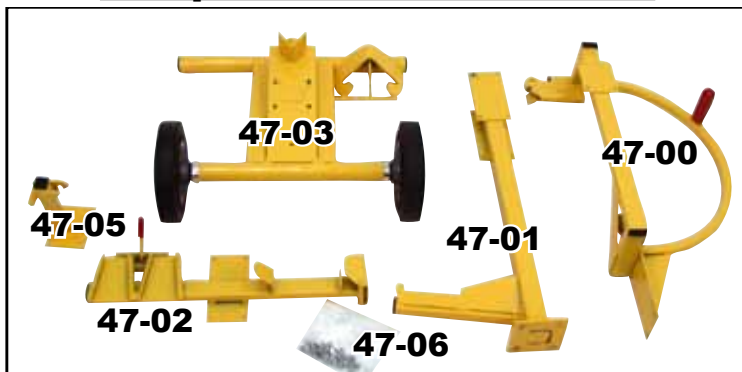
Made in U.S.A by **Telpro Inc.**

7251 S 42nd St • Grand Forks, ND • 58201

701-775-0551

www.worldsbestequipment.com

Complete Unit Consists Of:



- 47-00: Complete Upper Frame Section
47-01: Complete Mid Frame Section
47-02: Complete Cross Section
47-03: Complete Base Section
47-05: Upper Cradle Holder Assembly
47-06: Hardware Kit:
-1/4" X 1/2" Hex Bolt: 12
-1/4" Lock Nut: 12
-5/16" X 3/4" Hex Bolt: 4
-5/16" Lock Nut: 4



2. The photo above shows the Mid Frame Section correctly oriented and attached to the Base Section.

Initial Assembly

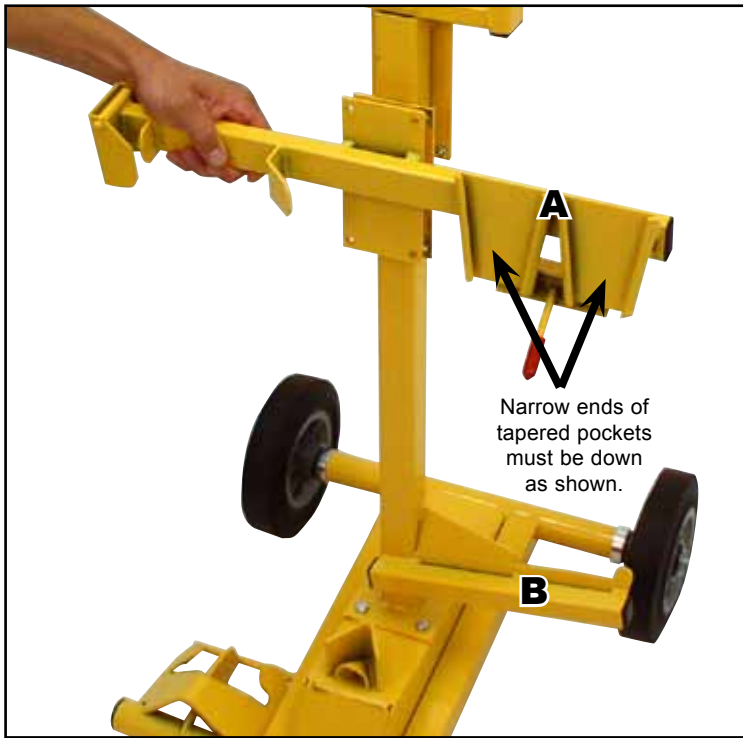


1. Attach the Mid Frame Section to the Base Section using the four 5/16" X 3/4" hex bolts and four 5/16" lock nuts provided.

IMPORTANT: Orient the Mid Frame Section in relation to the Base Section as shown. The lower arm ("A" in the photo above) must project away from the V strap ("B" in the photo above).



3. Attach the Upper Frame Section to the Mid Frame Section as shown using four 1/4" X 1/2" hex bolts and four 1/4" lock nuts.



4. Attach the Cross Section to the Mid Frame Section as shown using four 1/4" X 1/2" hex bolts and four 1/4" lock nuts.

Important: The Cross Section must be oriented as shown so that the tapered Cross Arm storage pockets ("A" in the photo above) are over the lower Cradle Support ("B" in the photo above). The narrow ends of the pockets must be down.



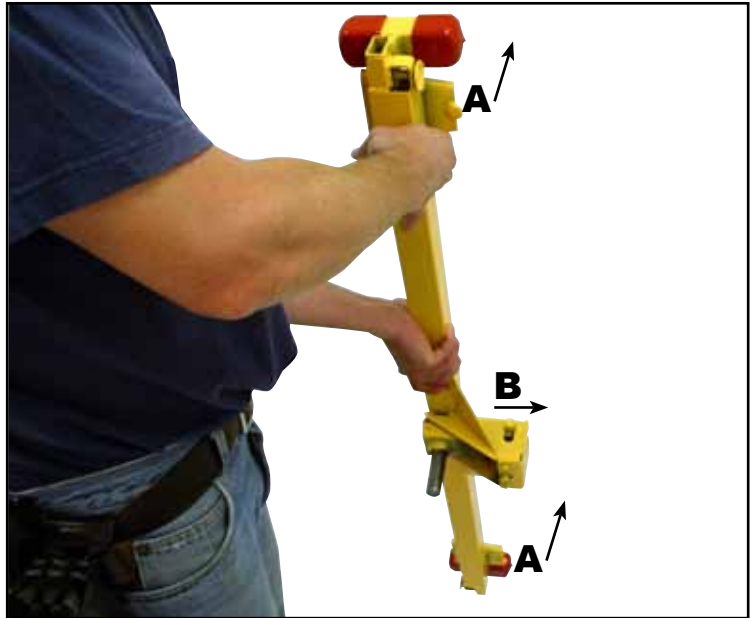
5. Attach the Upper Cradle Holder Assembly to the Upper Frame Section as shown using four 1/4" X 1/2" hex bolts and four 1/4" lock nuts.

Important: The Upper Cradle Holder Assembly must be oriented as shown so that the retaining catch ("A" in the photo above) is up and the support angles down.

Tighten the fasteners only finger tight at this point.

Adjusting Upper Cradle Holder Assem.

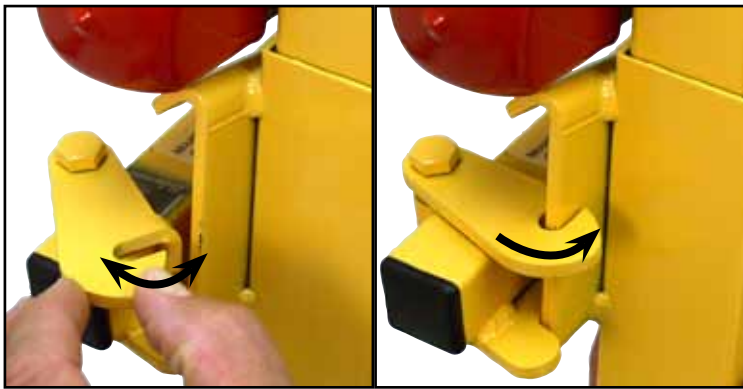
After hand tightening the fasteners on the Upper Cradle Holding Assembly you will need to adjust the Support to properly fit the Cradle of the PANELLIFT® Model 138-2 that will be stored there.



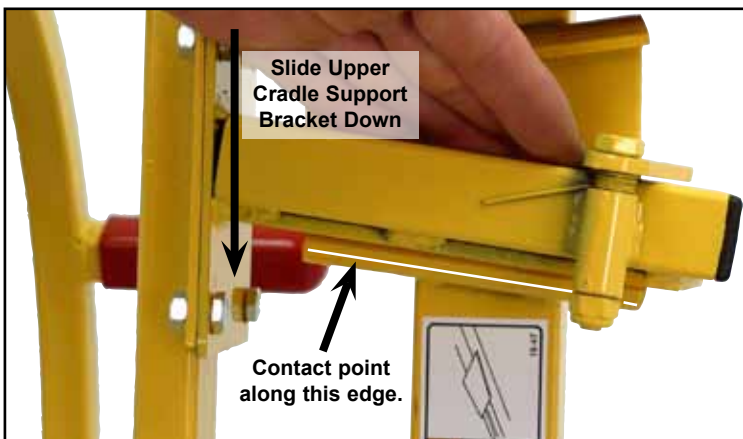
6. Begin by taking up the Cradle and holding it oriented as shown in the photo above with the tapered Cross Arm pockets ("A") away from you and the Pivot Box ("B") projecting to your right.



7. Mount the lower tapered Cross Arm pocket on the Lower Cradle Support as shown above. The narrow end of the Cross Arm pocket should face to the right toward the center of the storage cart.



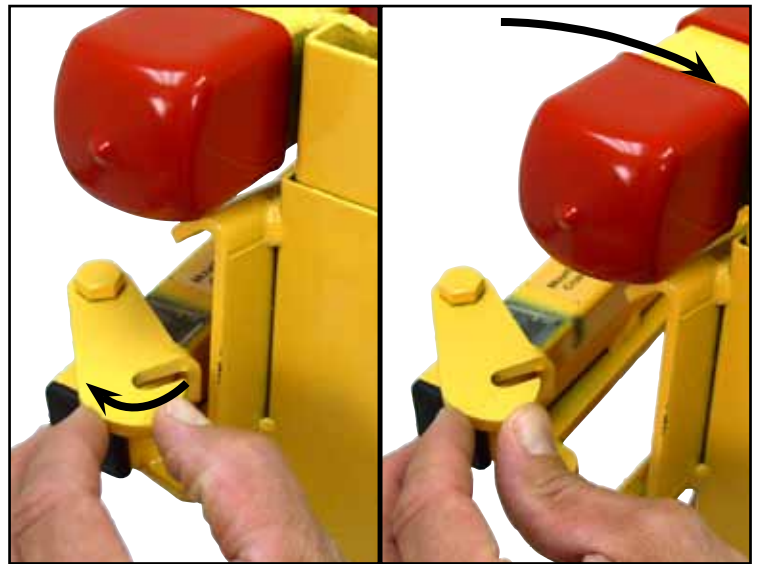
8. Secure the upper Cross Arm pocket of the Cradle behind the spring latch on the Upper Cradle Support.



9. Slide the Upper Cradle support down on its slotted mounting holes until it makes contact with the edge of the tapered Cross Arm pocket on the Cradle. Due to variances in material, the contact point may be anywhere along the edge of the Cross Arm Pocket.

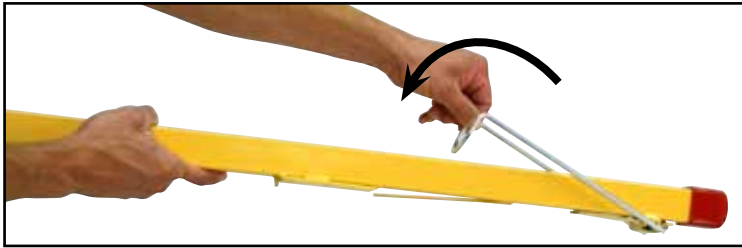


10. Securely tighten the bolt/lock nut assembly. Start with the lower bolts to minimize movement of the Upper Cradle Support Arm while tightening.



11. Check for a proper fit by opening the spring latch on the Upper Cradle Support and tilting the top of the Cradle away. The Cradle should move freely away without binding on the Upper Cradle Support and it should also remain securely in place when latched into the closed storage position. If adjustment is required, loosen the bolts and adjust as needed

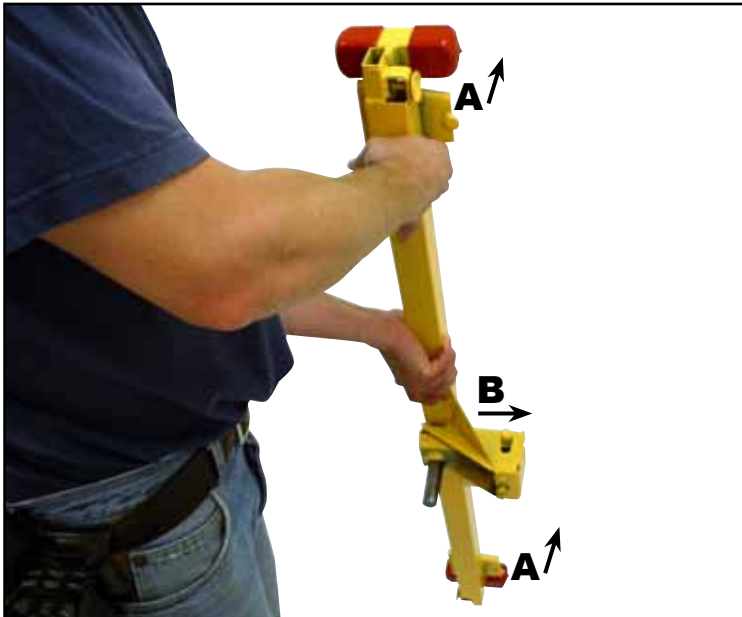
Loading the PANELLIFT® Model 138-2 Drywall Lift onto the Cart



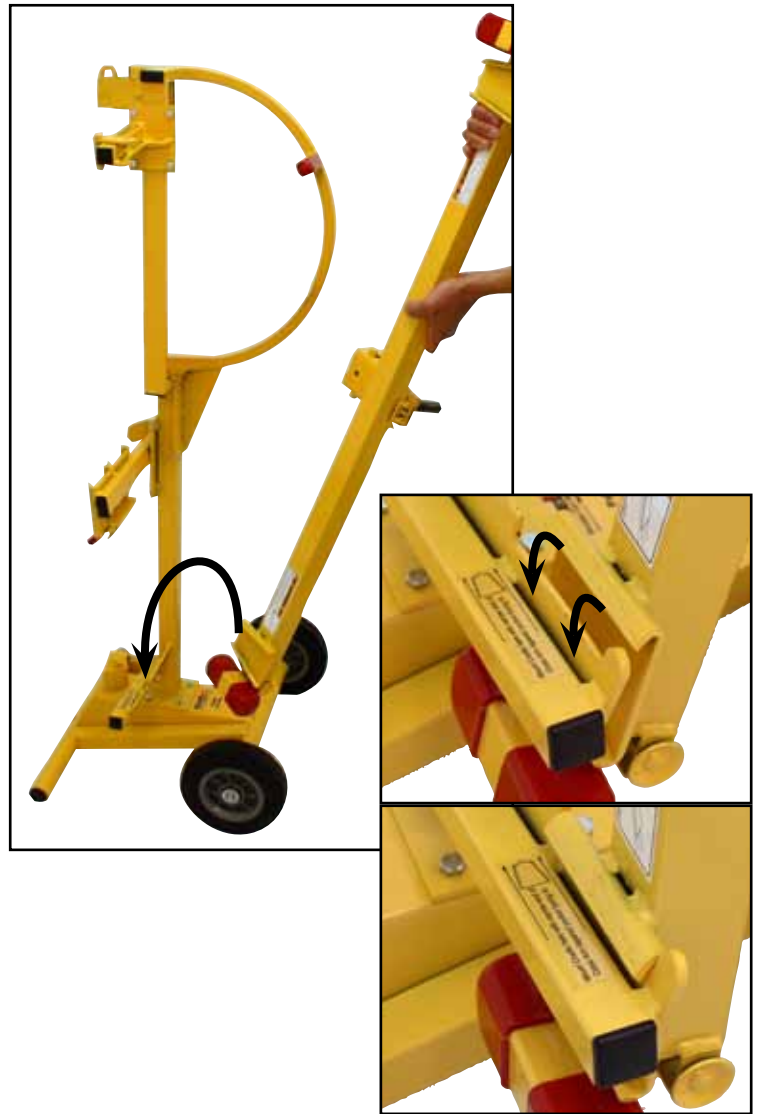
12. Begin with the Cross Arms. Fold the Support Hook backwards. This will prevent it from rubbing on the other components when the Cross Arm is stored.



13. Insert the Cross Arm fully into the tapered pocket on the Cross Section until the spring tab on the Cross Arm locks into place. To remove, depress the Cross Arm spring tabs either directly or using the release arm provided.



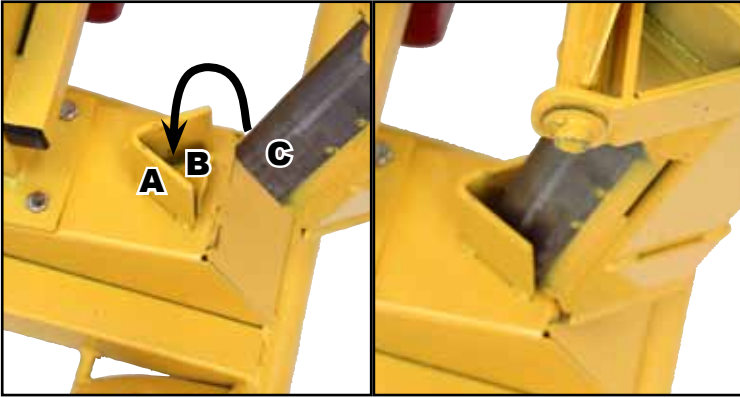
14. To load the Cradle, begin by holding it oriented as shown in the photo above with the tapered Cross Arm pockets ("A") away from you and the Pivot Box ("B") projecting to your right.



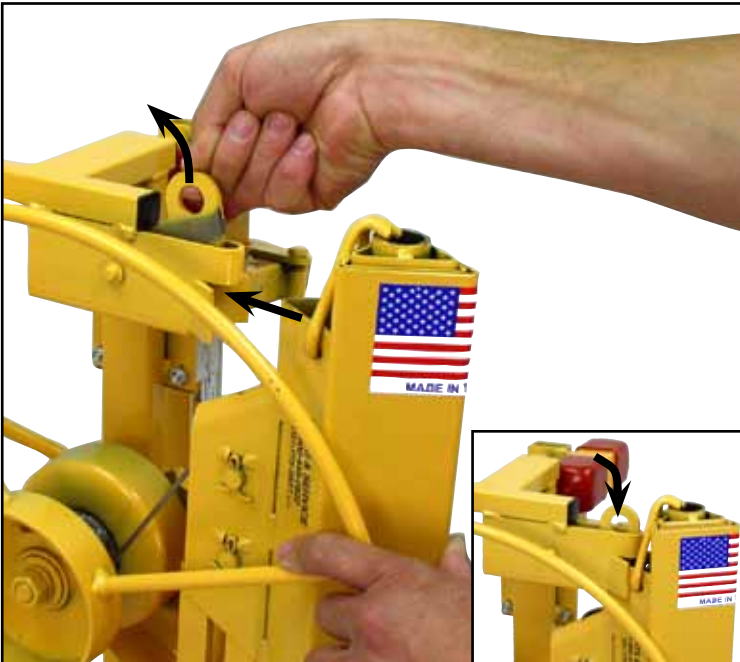
15. Mount the lower tapered Cross Arm pocket on the Lower Cradle Support as shown above. The narrow end of the Cross Arm pocket should face to the right toward the center of the storage cart.



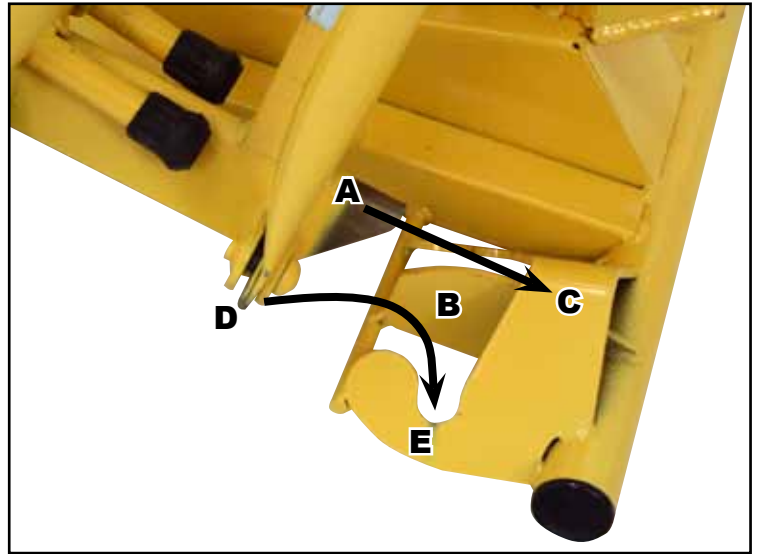
16. Secure the upper Cross Arm pocket of the Cradle behind the spring latch on the Upper Cradle Support.



18. To load the Frame Assembly, start by mounting the foot of the Frame on the cart Base Section as shown. Angle "C" fits OVER angle "B" and inside angle "A".



19. Lift up on the Frame Section Retaining Latch and tip the Frame Section into the locking position. Make sure the Retaining Latch is firmly holding the Frame Section in place.



20. Store the Tripod Base Assembly as shown above. Angle "A" inserts beneath angle "C" while sliding over ridge "B". The Outer leg hinge points "D" will drop down into notch "E".



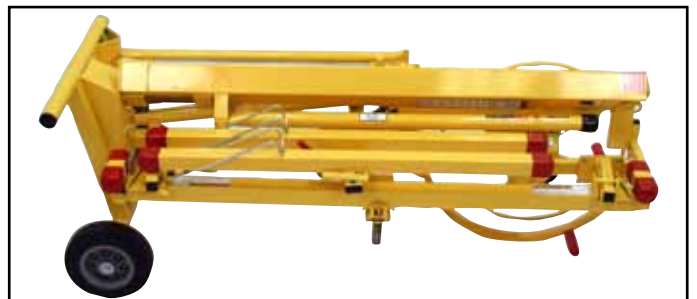
21. Lift the Tripod Retaining Latch and tip the Tripod base into the locking position.



Your PANELLIFT® Model 138-2 is now securely loaded for convenient transportation or compact storage.



Handle the loaded PANELLIFT® Model 110 Drywall Lift Cart as you would any two wheel material handling dolly.



When possible, transport the Loaded PANELLIFT® Model 110 Drywall Lift Cart in the horizontal position as shown. Always secure it with ropes or straps when transporting to avoid tipping or moving of the load.



Questions about assembly?

Can't find a part?

Need some other help?

Call us: **Telpro Inc.[®]**

1(800)448.0822

(701)775.0551

We'll get you set up!