

Questions about assembly?

Can't find a part?

Need some other help?

Call us: **Telpro Inc.**

1(800)448.0822

(701)775.0551

We'll get you set up!



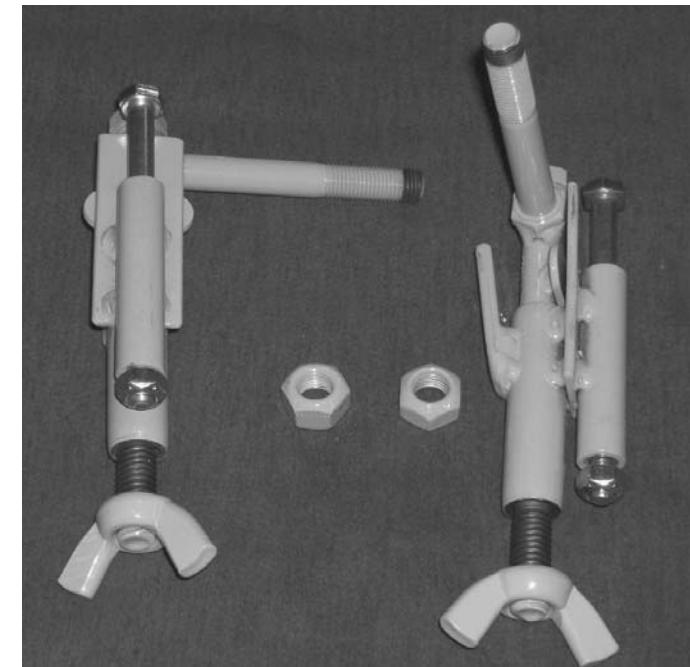
Service Procedure Manual

Replacement of part 08-03-00-00

Beam Latch Bolt

Tele-Tower® Adjustable Work Platform

Models 1101 & 1101-96



⚠ WARNING ⚠

Read and become familiar with this manual **BEFORE** performing the service procedure described within.

Before this service procedure, thoroughly read this set of instructions, make sure you understand them, and only then follow the step-by-step directions. Failure to do so could result in serious property damage and / or serious bodily injury.

Tools Needed



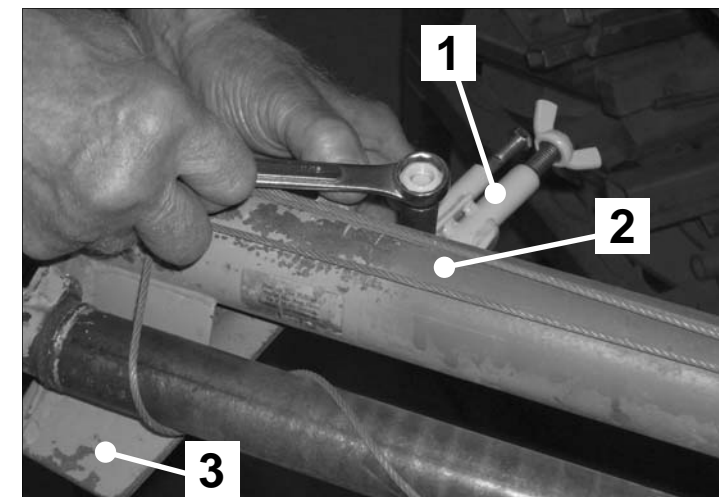
A. Angle Grinder
B. 11/16" Wrench

Download a copy of this manual by going to www.telproinc.com and clicking on the link for "Equipment Service/Maintenance Videos & Manuals"

REPLACEMENT OF PART 08-03-00-00

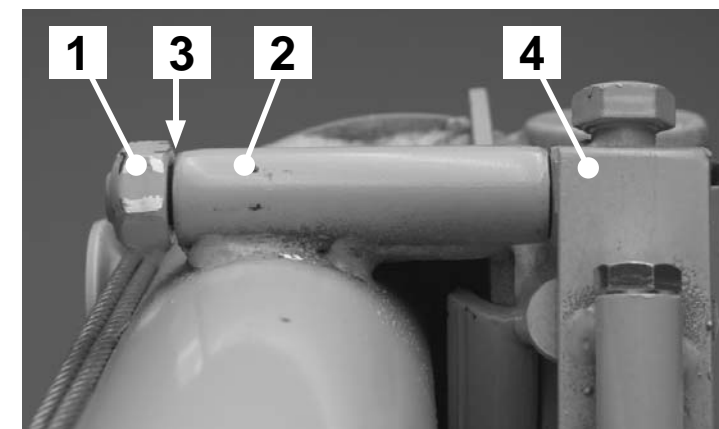


1. Grind off the weld on the nut holding the latch bolt to be replaced. Remove the nut. Discard the old latch bolt & nut.



2. Install the latch bolt marked "A" on the winch end of the beam. Install the latch bolt marked "B" on the end of the beam opposite the winch.

BE SURE the latch bolt ("1" above) installs from the side of the beam tube ("2" above) with the tapered mounting plate ("3" above) so that the lock nut is on the outside of the beam tube as shown.

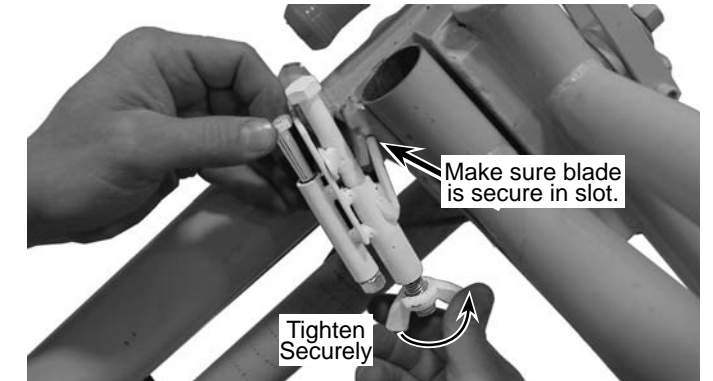


3. Tighten the lock nut ("1" above) completely against the mount tube ("2" above), then back it off just enough ("3" above) to provide freedom of rotation for the latch bolt assembly ("4" above).

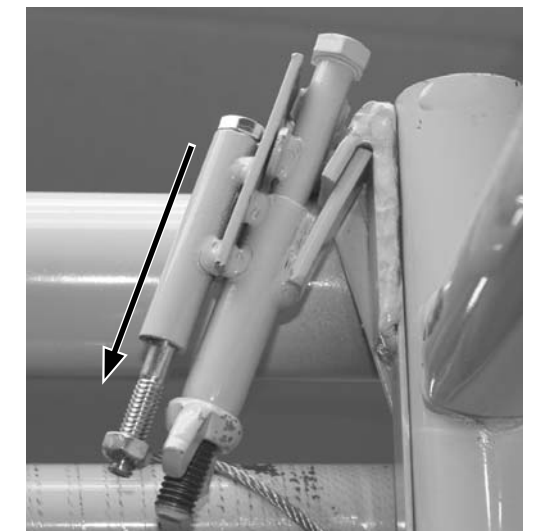
OPERATION OF PART 08-03-00-00



1. Place the connecting beam in the tapered socket.



2. Lift the retaining bolt and tighten the wing nut until secure. **MAKE SURE** that the blade on the latch bolt is secure in the slot on the ladder frame.



3. Release the retaining bolt and allow it to drop down to prevent the backward rotation of the securing wing nut.



NOTE: When disassembling, raise the retaining bolt, loosen the wing nut and pivot the latch bolt assembly to pry the tapered socket open.